

ioSafe® Solo

USB External Hard Drive



Disaster Proof Hardware

- ioSafe Solo: The world's first affordable high capacity disaster proof hard drive
- ioSafe® FloSafe air cooled technology
- Protects precious digital memories from fires & floods.
- Back up your PC or laptop hard drives
- **Fire: 1550 F, 1/2 hr per ASTM E119 DataCast Technology**
- **Flood: Full immersion, 10 ft. 3 days HydroSafe Technology**
- Store and protect from fire and flood, your precious photos music and video libraries
- Active cooling for reliable operation
- Operates at up to 35°C (95°F)
- Up to 1.5 TB storage capacity
- USB 2.0 interface
- Compatible with Windows and Macintosh
- Weight: 15 lbs

Email sales@iosafe.com or go to www.iosafe.com

ALL SPECIFICATIONS SUBJECT TO CHANGE WITHOUT NOTICE


disaster proof hardware



ioSafe Solo: USB External Hard Drive Product Specifications

Operational Details:

1. Single disk. 500 GB, 1TB and 1.5TB capacities.
2. Quiet forced air cooling.
3. Multi-platform compatibility: Windows, Mac and Linux
4. USB 2.0, 7200 RPM, up to 480Mb/s

Disaster & Security Specifications:

1. Fire protection – 1550F, 1/2 hour per ASTM E119
2. Tested per UL, FCC and CE Standards
3. Flood / submersion protection – to 10 feet water depth, 3 days.
4. Proven data protection and recovery. Tested to ASTM E119 standards for fire exposure.
5. Physical theft protection
6. Cable lock or floor mount optional

Support:

1. \$1,000 Data Disaster Recovery Guarantee. One time, no questions asked policy. See website for details.
2. 3 Year standard manufacturer's warranty for defects

Inside The Box:

1. ioSafe Solo USB External Hard Drive
2. USB Cable
3. Power Supply
4. Owners Manual and Warranty

Electrical:

1. Electrical – AC input
2. Voltage: 80 ~ 264 VAC at 50/60 HZ
3. Typical Power Consumption: < 25W

System Requirements:

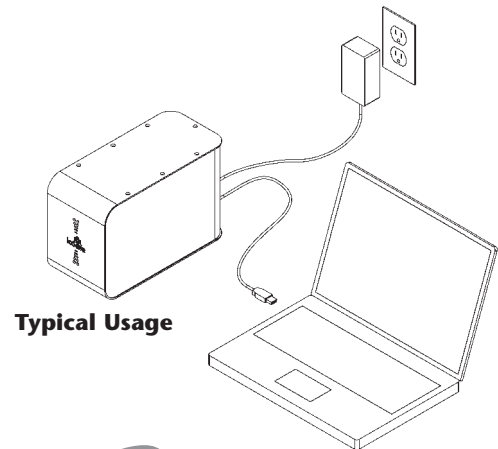
1. Intel Pentium II 350 Mhz-compatible or Mac G3 processor & greater
2. Microsoft Windows XP/Vista or Mac OS 8.6 & greater
3. USB equipped system
4. For USB 2.0 speeds, the system must support USB 2.0 specifications

Operating Environmental:

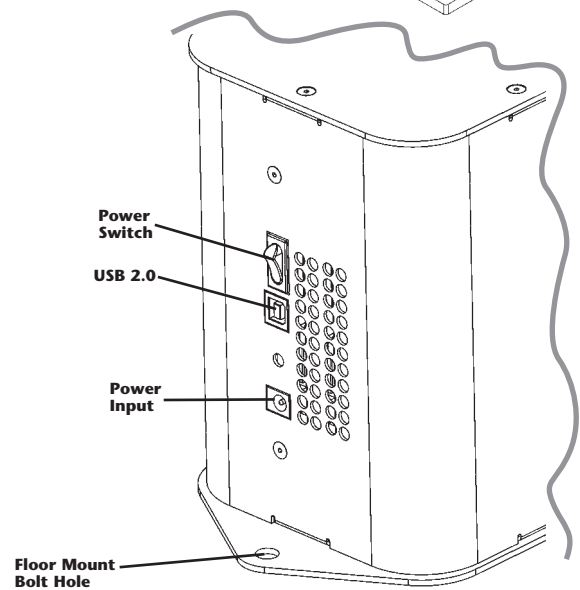
1. Operating: 0-35° C (95°F)
2. Non-operating: 0-1550°F, 1/2 hour per ASTM E119
3. Operating Humidity: 20% - 80% (non-condensing)
4. Non-operating Humidity: 100%, Full water immersion, 10 feet, 3 days.

Physical:

1. Size: 5.0"W x 7.1"H x 11.0"L
2. Weight: 15 lbs



Typical Usage



ioSafe Solo Rear Panel